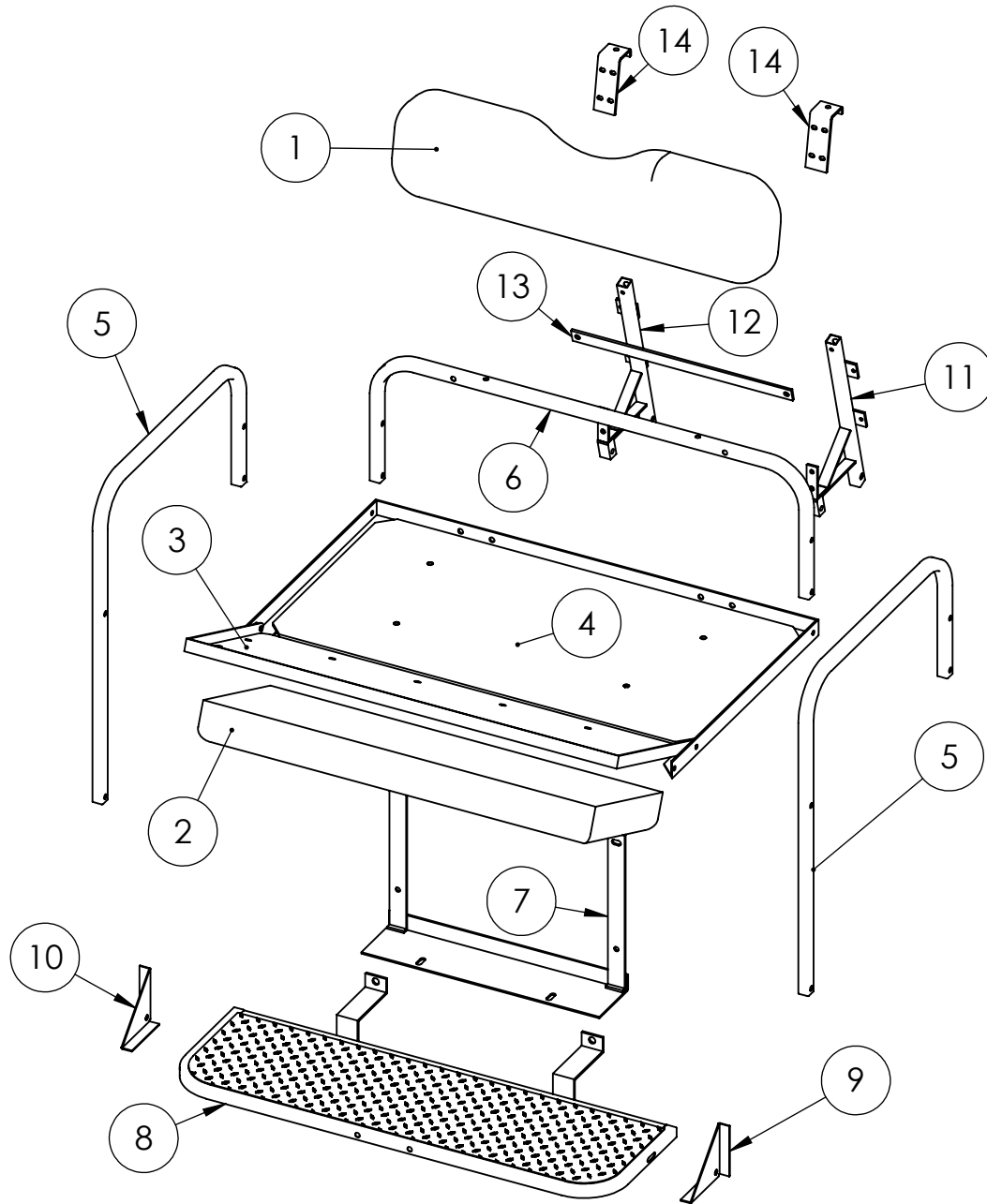


01-012 GENESIS150 REAR FLIP SEAT FOR YAMAHA DRIVE

WARRANTY PARTS EXPLODED VIEW DIAGRAM



ITEM NO.	PART NO.	DESCRIPTION	QTY
1	W01-5-7	Rear Lean Back Cushion	1
2	W01-5-8	Rear Seat Cushion	1
3	W01-8-14	Flip Poly Board	1
*4	W01-8-15	Main Poly Board	1
5	W01-5-2	Arm Rest	2
6	W01-8-5	Horizontal Frame Bracket	1
7	W01-5-3	Bagwell Bracket	1
8	W01-12-1	Foot Plate	1
9	W01-8-4	Foot Plate Bracket-Pass	1
10	W01-8-3	Foot Plate Bracket-Driver	1

ITEM NO.	PART NO.	DESCRIPTION	QTY
11	W01-5-5	Main Bracket-Pass	1
12	W01-5-4	Main Bracket-Driver	1
13	W01-5-9	Front Bracket Brace	1
14	W01-8-8	Lean Back Bracket	2
17	W01-5-6	Hardware Pack	1

* Item#4 - The Warranty Part# is W01-8-17 for the Main Frame w/ Polyboard

Revised on 5/22/15