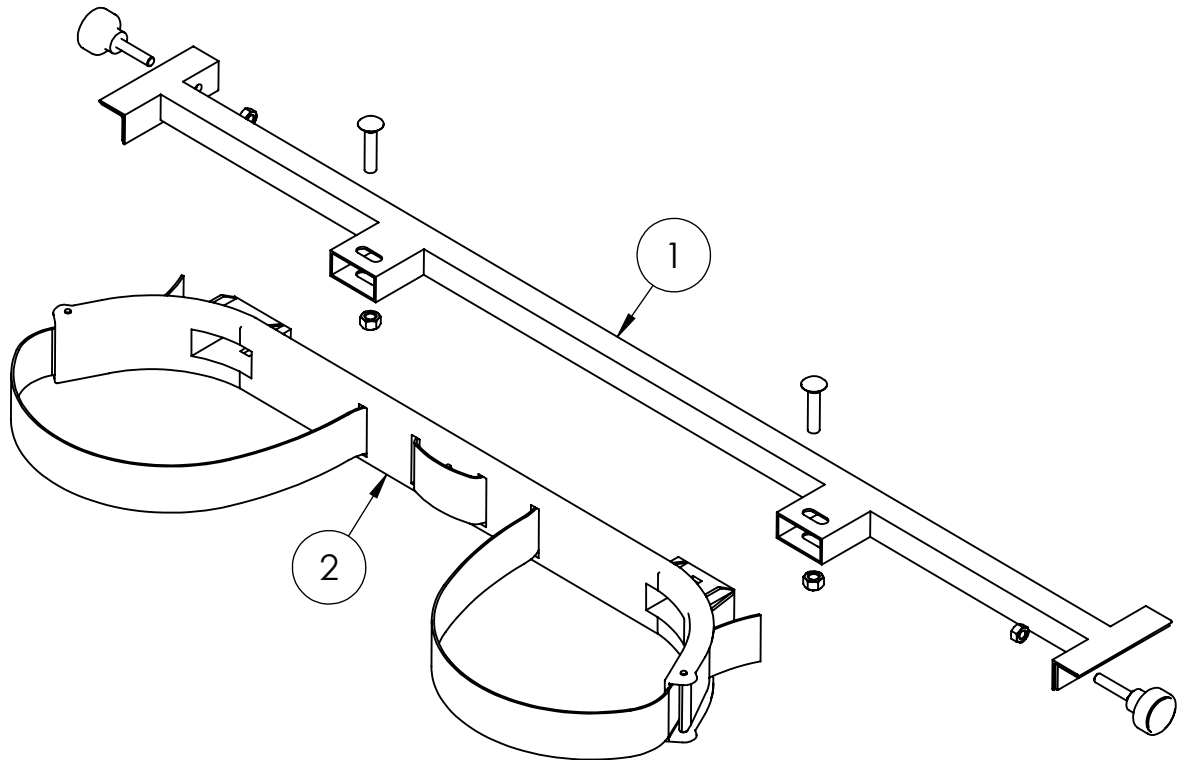


# **MJGBA8000C - GOLF BAG ATTACHMENT COMBO**

**(MJGBA8000 = ATTACHMENT BAR ONLY)**

## **WARRANTY PARTS EXPLODED VIEW DIAGRAMS**



**NOTE: EXTRA STRAP ALSO INCLUDED FOR WRAPPING AROUND THE BAGWELL BRACKETS TO SECURE LOWER BAGS**

<b>MJGBA8000C - GOLF BAG ATTACHMENT COMBO</b>			
<b>ITEM NO.</b>	<b>DESCRIPTION</b>	<b>PART NO.</b>	<b>QTY</b>
1	Golf Bag Attachment Bar	N/A	1
2	Golf Bag Holder w/ Strap	W03-20-2	1
3	Golf Bag Extra Strap (Not Shown but Included)	W01-100	1
4	Golf Bag Hardware Pack	W01-101	1
	Hardware Pack Includes: Bolts (2), Washers (4), Nylock Nuts (2), & Threaded Knobs (2)		

Revised on 4/7/15 - Added W03-20-2 to Chart